



The Company with Connections

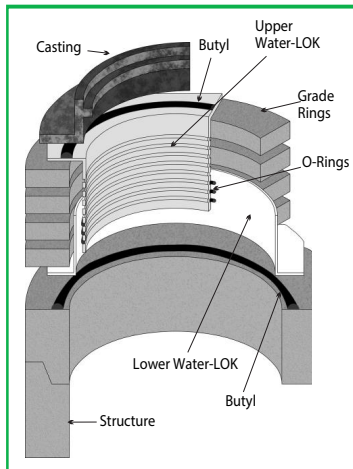


Grade Work Protection System

Water-LOK

WATER-LOK

Inflow & Infiltration (I&I) deterioration of grade work is one of the leading causes of pothole formation around manholes. Grade work is constantly being attacked by the pounding and vibration of traffic, the corrosive effect of chemicals produced by bacteria found in sewer systems, and the freeze/thaw cycle. These forces destroy the grade work by creating voids that eventually turn into potholes.



WATER•LOK COMPONENTS

The Water-LOK is a telescopic liner system that protects the grade work area from water infiltration as well as chemical attack. The self-adjustability of the system allows it to compensate for grade movement after installation.

Water-Lok can be used in both new and rehabilitation projects and is compatible with all mechanical means for securing castings to structures.

AVAILABILITY

Water-LOK accommodates 24" and 30" grade rings.

DURABILITY

Made from a polyethylene blend of materials which is highly resistant to a sewer system's corrosive environment.

RELIABILITY

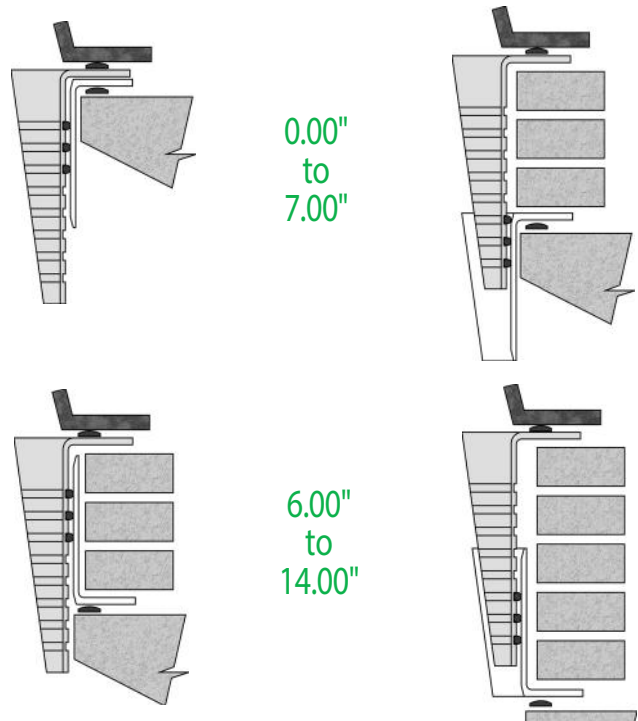
High quality O-rings and butyl create a permanent watertight seal without the need for mechanical parts or tools.

Can not be accidentally dislodged while entering or exiting structure.

COMPATIBILITY

Use with the Dura-Plate 100 Liner system for total structure protection.

DIMENSIONAL ADJUSTMENT



INSTALLATION KIT COMPONENTS

Every WATER•LOK connector is shipped boxed with everything needed for installation:

Instructions, O-rings, Lube, Butyl and Connectors.



TESTABILITY

When vacuum testing is required expandable steel bands are available to hold O-Rings in place and retain the shape of the Upper and Lower Water-LOK Parts.



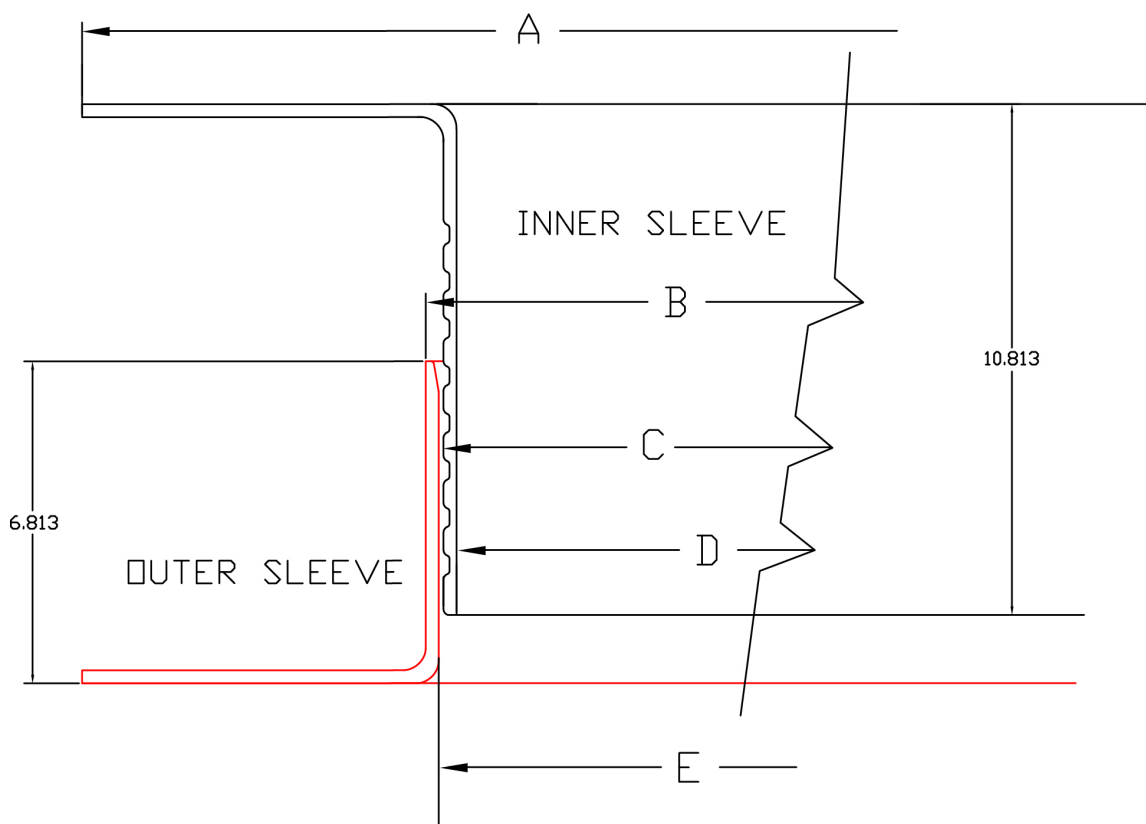
The Company with Connections[®]



Grade Work Protection System

Water-LOK

● WATER-LOK DIMENSIONS



	24"	30"
A	38.062"	41.00"
B	23.55" OD	29.50" OD
C	22.75"	28.75"
D	22.20" ID	28.20" ID
E	22.94"	28.94"