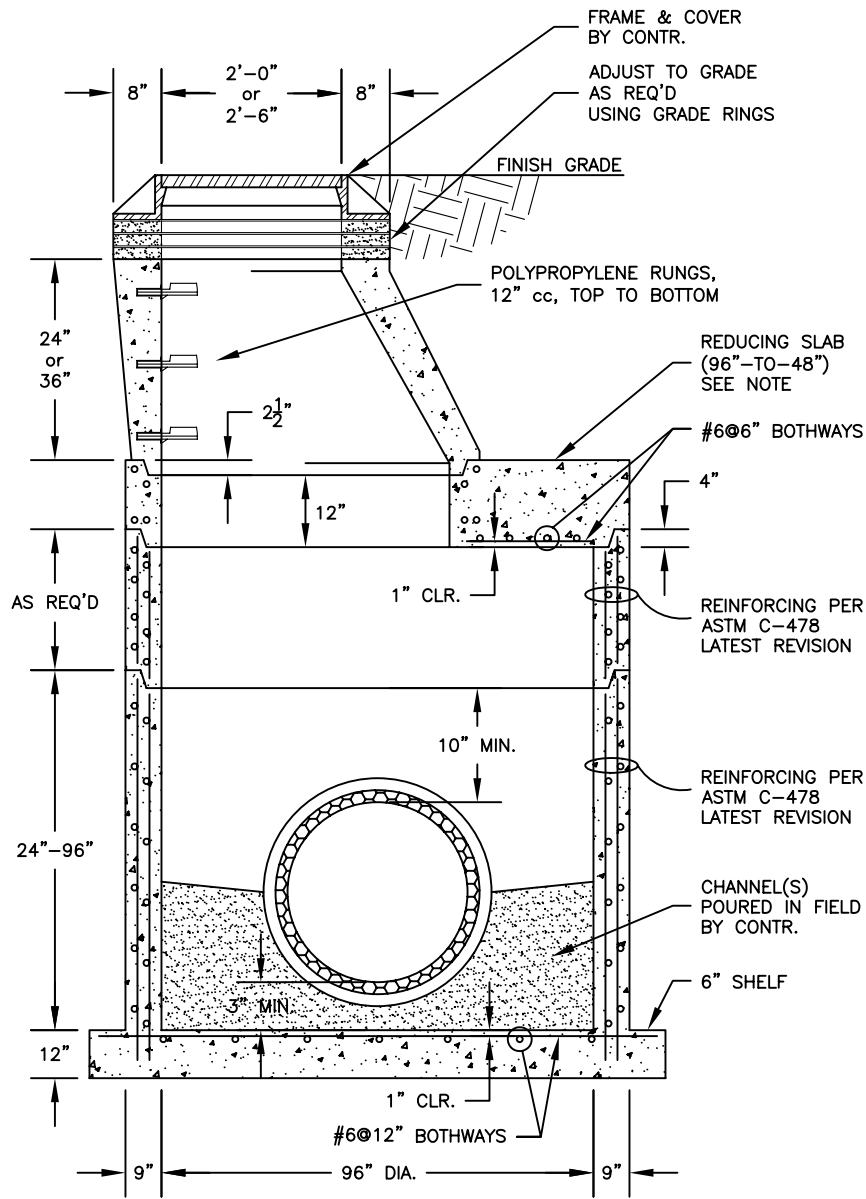
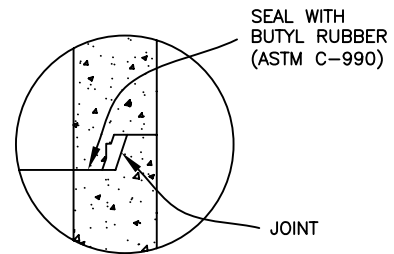


NOTE:
FOR MANHOLES WITH A HEIGHT OF LESS THAN 12 FT, THE REDUCING SLAB AND TOP CONE ABOVE MAY BE REPLACED WITH A TOP SLAB.

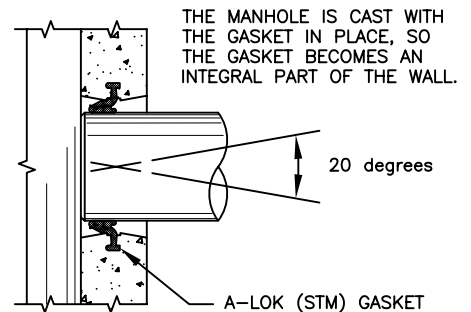
- SPECIFICATIONS:**
- THE CONCRETE IS DESIGNED TO OBTAIN A STRENGTH OF 4,000 PSI IN 28 DAYS.
 - THE REINFORCING STEEL HAS A YIELD STRENGTH OF 60,000 PSI.
 - THE MANHOLE IS DESIGNED TO MEET THE REQUIREMENTS OF ASTM C-478, "PRECAST REINFORCED CONCRETE MANHOLE SECTIONS."
 - THE REINFORCED CONCRETE STRUCTURE IS DESIGNED TO WITHSTAND AASHTO HS-20 LIVE LOAD CONDITIONS (DESIGN OF HATCH AND/OR FRAME AND COVER BY OTHERS).
 - THE REINFORCED CONCRETE BASE SLAB IS DESIGNED FOR A MAXIMUM DEPTH OF 30 FT (DEPTH = F.G. TO TOP OF BASE SLAB).
 - THE REINFORCED CONCRETE REDUCING SLAB IS DESIGNED FOR A MAXIMUM EARTH COVER OF 10 FT (EARTH COVER = F.G. TO TOP OF REDUCING SLAB).
 - THE OPTIONAL A-LOK STORM GASKET IS DESIGNED TO MEET THE REQUIREMENTS OF ASTM C-1478, "STORM DRAIN RESILIENT CONNECTORS BETWEEN REINFORCED CONCRETE STORM SEWER STRUCTURES, PIPES, AND LATERALS."



SECTION VIEW
NOT TO SCALE



TYPICAL JOINT SECTION
NOT TO SCALE



OPTIONAL A-LOK STM SECTION
NOT TO SCALE



ATLANTIC CONCRETE PRODUCTS, INC.
8900 Old Route 13
PO Box 129, Tullytown, PA 19007-7129
Phone: (215) 945-5600
Fax: (215) 946-3102
Web: www.atlanticconcrete.com

STORM MANHOLE
96" DIA.