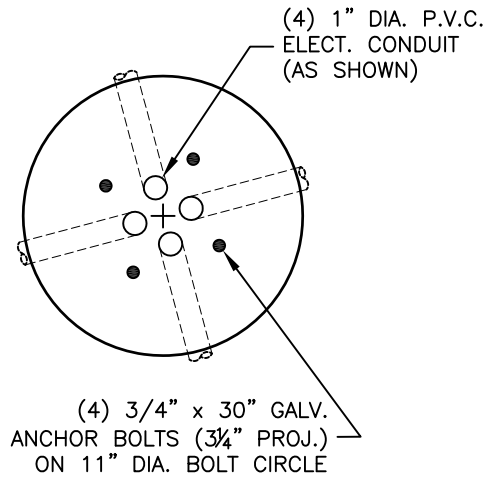
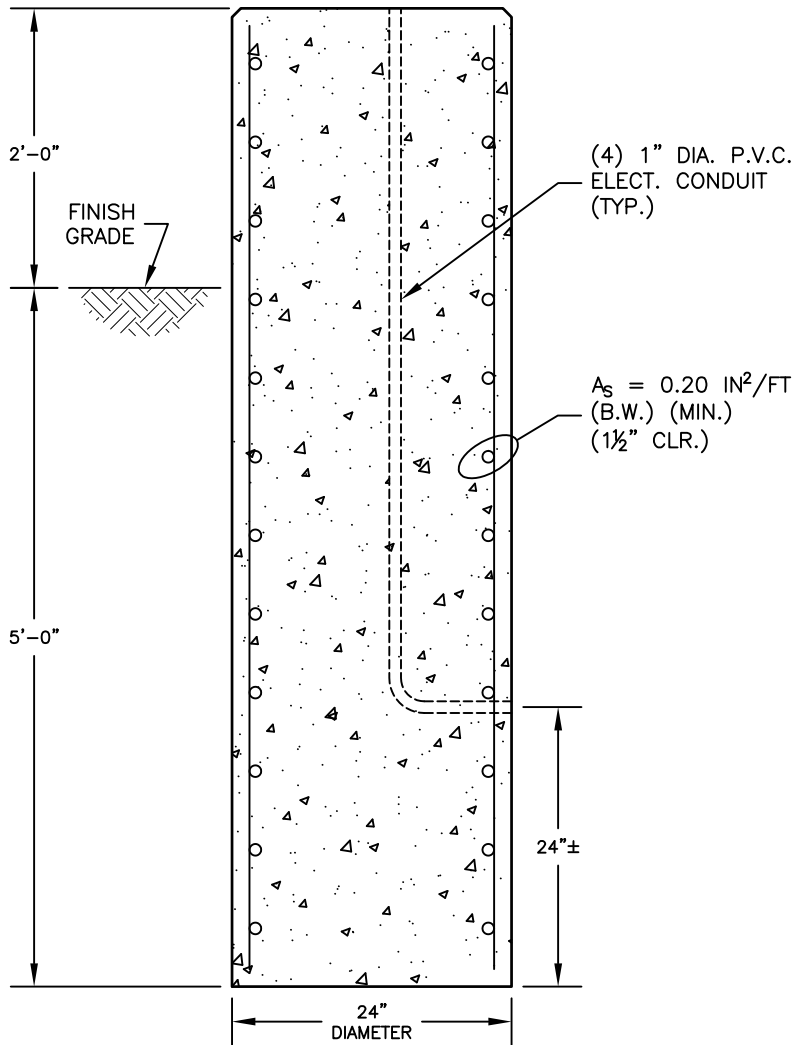


SPECIFICATIONS:

- THE CONCRETE IS DESIGNED TO OBTAIN A STRENGTH OF 4,000 PSI IN 28 DAYS.
- THE REINFORCING STEEL HAS A YIELD STRENGTH OF 60,000 PSI.

3/4"± CHAMFER

3,500 LBS
MAX. POSSIBLE
PIECE WEIGHT



COMPATABLE w/5" SQUARE
STRAIGHT ALUM. SSA-5G

SECTION VIEW
NOT TO SCALE

PLAN VIEW
NOT TO SCALE



ATLANTIC CONCRETE PRODUCTS, INC.
8900 Old Route 13
P.O. Box 129, Tullytown, PA 19007-7129
Phone: (215) 945-5600
Fax: (215) 946-3102
Web: www.atlanticconcrete.com

LIGHT POLE BASE
(2 FT. DIA.)