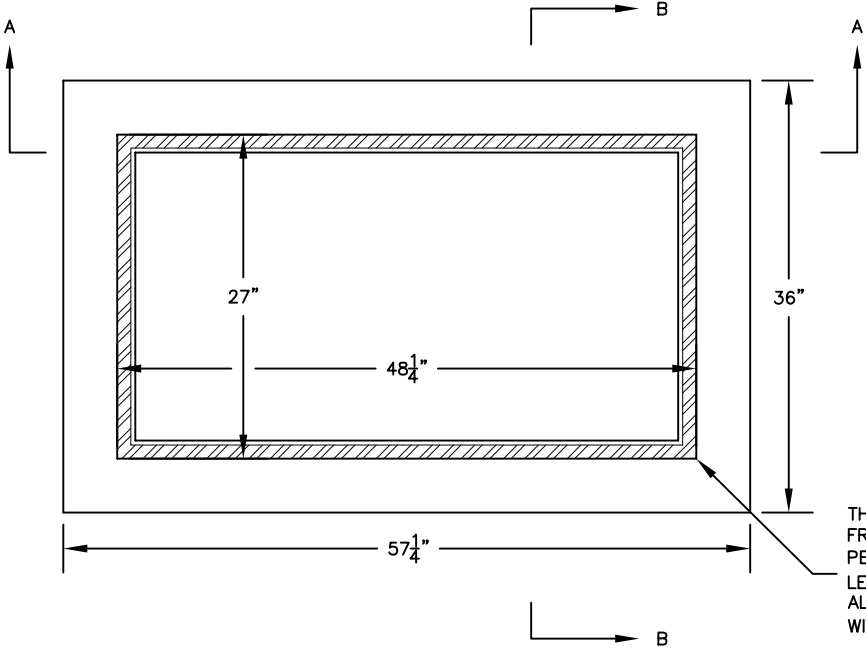
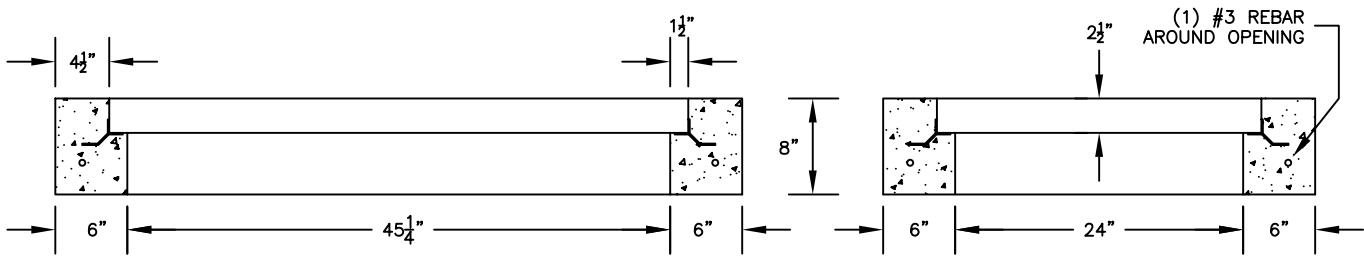


- SPECIFICATIONS:**
- THE CONCRETE IS DESIGNED TO OBTAIN A STRENGTH OF 4,000 PSI IN 28 DAYS.
 - THE REINFORCING STEEL HAS A YIELD STRENGTH OF 60,000 PSI.
 - THE INLET SHALL BE DESIGNED TO MEET PENNDOT SPEC. FORM 408 FOR PRECAST CONCRETE CATCH BASINS (RC-34).



THE INLET TOP IS CAST AROUND THE FRAME FOR A STANDARD GRATE (PER PENNDOT STANDARD DRAWING RC-34); LEDGE WIDTH IS 1 1/2" AND DEPTH IS 2 1/2" ALL AROUND TO ACCOMMODATE A FRAME WITH AN ANGLE OF 1 1/4" x 1 1/4" x 1/8" (MIN.)

PLAN VIEW
NOT TO SCALE



SECTION A-A
NOT TO SCALE

SECTION B-B
NOT TO SCALE



ATLANTIC CONCRETE PRODUCTS, INC.
8900 Old Route 13
P.O. Box 129, Tullytown, PA 19007-7129
Phone: (215) 945-5600
Fax: (215) 946-3102
Web: www.atlanticconcrete.com

INLET TOP
PENNDOT (RC-34)
TYPE M