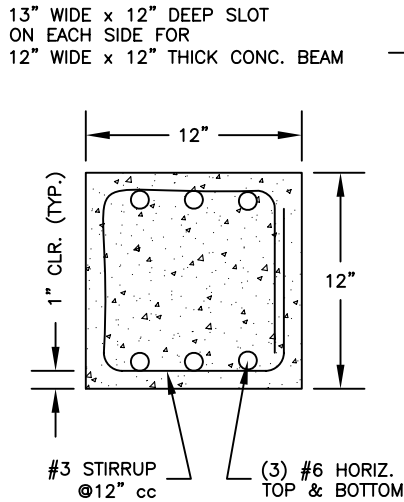
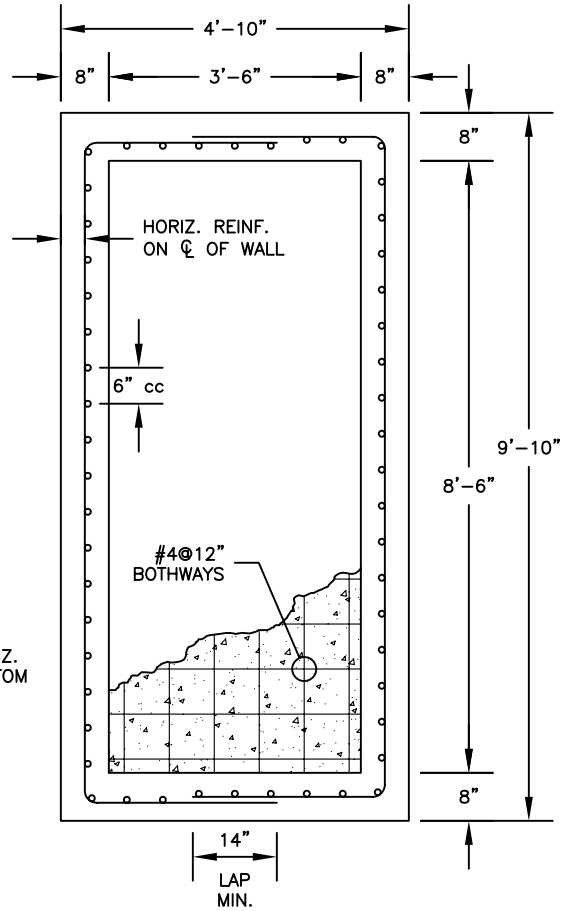


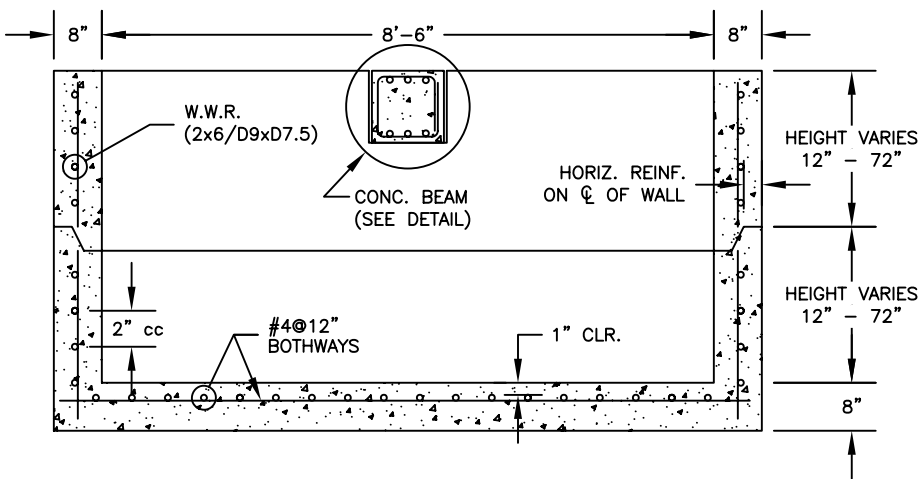
PLAN VIEW — HOLES  
NOT TO SCALE



DETAIL  
CONCRETE BEAM  
NOT TO SCALE



PLAN VIEW — REINFORCING  
NOT TO SCALE



SECTION A-A  
NOT TO SCALE

**SPECIFICATIONS:**

- THE CONCRETE IS DESIGNED TO OBTAIN A STRENGTH OF 5,000 PSI IN 28 DAYS.
- THE REINFORCING STEEL HAS A YIELD STRENGTH OF 60,000 PSI.
- THE INLET IS DESIGNED TO MEET ASTM C-913, "PRECAST CONCRETE WATER AND WASTEWATER STRUCTURES."
- THE INLET IS DESIGNED TO WITHSTAND AASHTO HS-20 LIVE LOAD CONDITIONS (DESIGN OF HATCH AND/OR FRAME & COVER BY OTHERS).
- THE REINFORCED CONCRETE WALLS AND BASE SLAB ARE DESIGNED FOR A MAXIMUM DEPTH OF 10 FT (DEPTH = F.G. TO TOP OF BASE SLAB).
- STRUCTURE IS DESIGNED TO MEET NJDOT SPECS.
- THE OPTIONAL A-LOK STORM GASKET IS DESIGNED TO MEET THE REQUIREMENTS OF ASTM C-1478, "STORM DRAIN RESILIENT CONNECTORS BETWEEN REINFORCED CONCRETE STORM SEWER STRUCTURES, PIPES, AND LATERALS."



ATLANTIC CONCRETE PRODUCTS, INC.  
8900 Old Route 13  
P.O. Box 129, Tullytown, PA 19007-7129  
Phone: (215) 945-5600  
Fax: (215) 946-3102  
Web: www.atlanticconcrete.com

INLET BASE & RISER  
NJDOT TYPE DOUBLE B