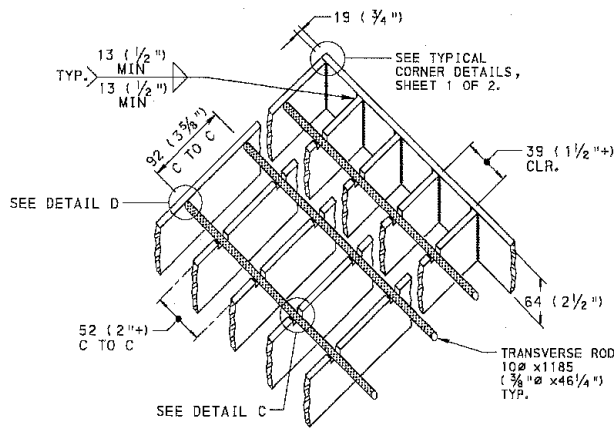
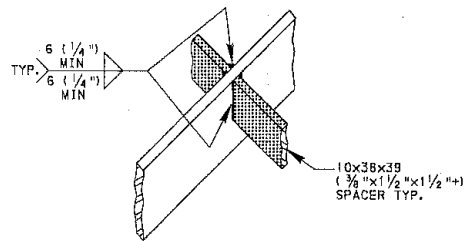


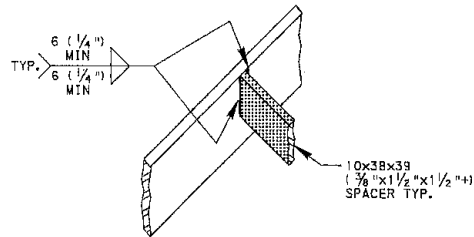
STRUCTURAL STEEL GRATE
BICYCLE SAFE



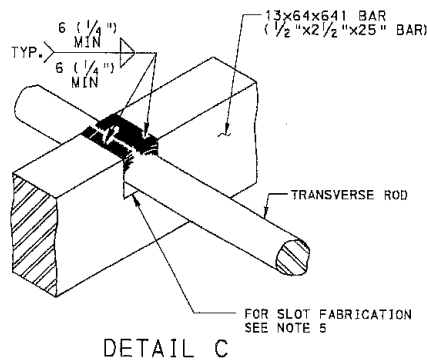
BAR AND ROD SPACER DETAIL



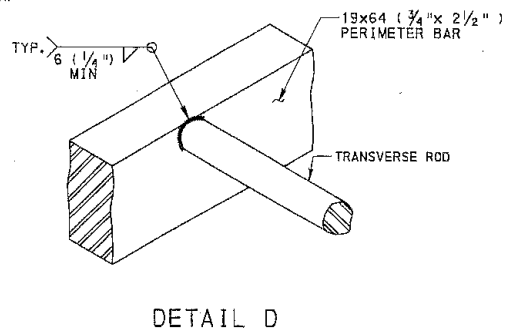
DETAIL A



DETAIL B



DETAIL C



DETAIL D



ATLANTIC CONCRETE PRODUCTS, INC.
8900 Old Route 13
P.O. Box 129, Tullytown, PA 19007-7129
Phone: (215) 945-5600
Fax: (215) 946-3102
Web: www.atlanticconcrete.com

GRATE
FOR PENNDOT INLETS (RC-34)
BIKE SAFE (HS-25)