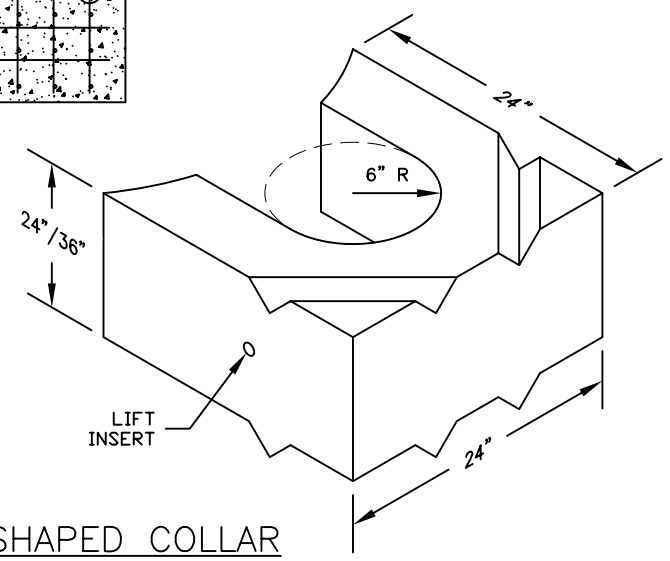


CROSS-SECTION  
OF  
DROP MANHOLE  
NOT TO SCALE



U-SHAPED COLLAR  
NOT TO SCALE



ATLANTIC CONCRETE PRODUCTS, INC.  
8900 Old Route 13  
P.O. Box 129, Tullytown, PA 19007-7129  
Phone: (215) 945-5600  
Fax: (215) 946-3102  
Web: [www.atlanticconcrete.com](http://www.atlanticconcrete.com)

# DROP MANHOLE COLLARS